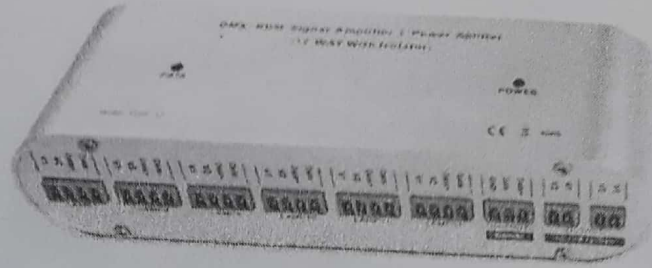


# DMX ACCESSORIES - SIGNAL AMPLIFIER

## ► FEATURES

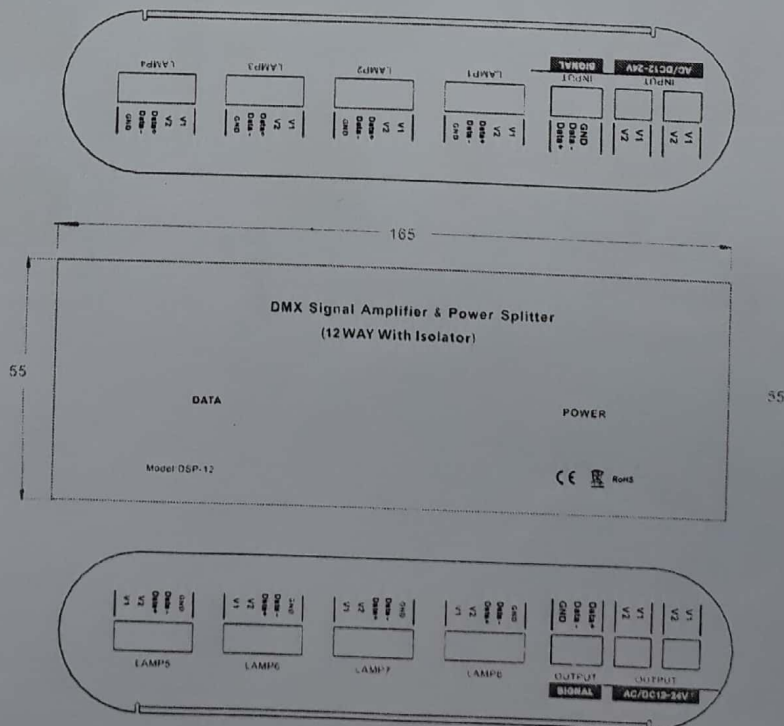
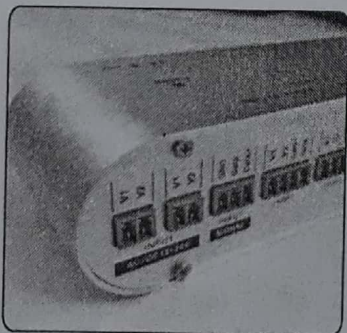
- Signal isolation and amplification
- power splitter
- 12 Way output connect 12 lights



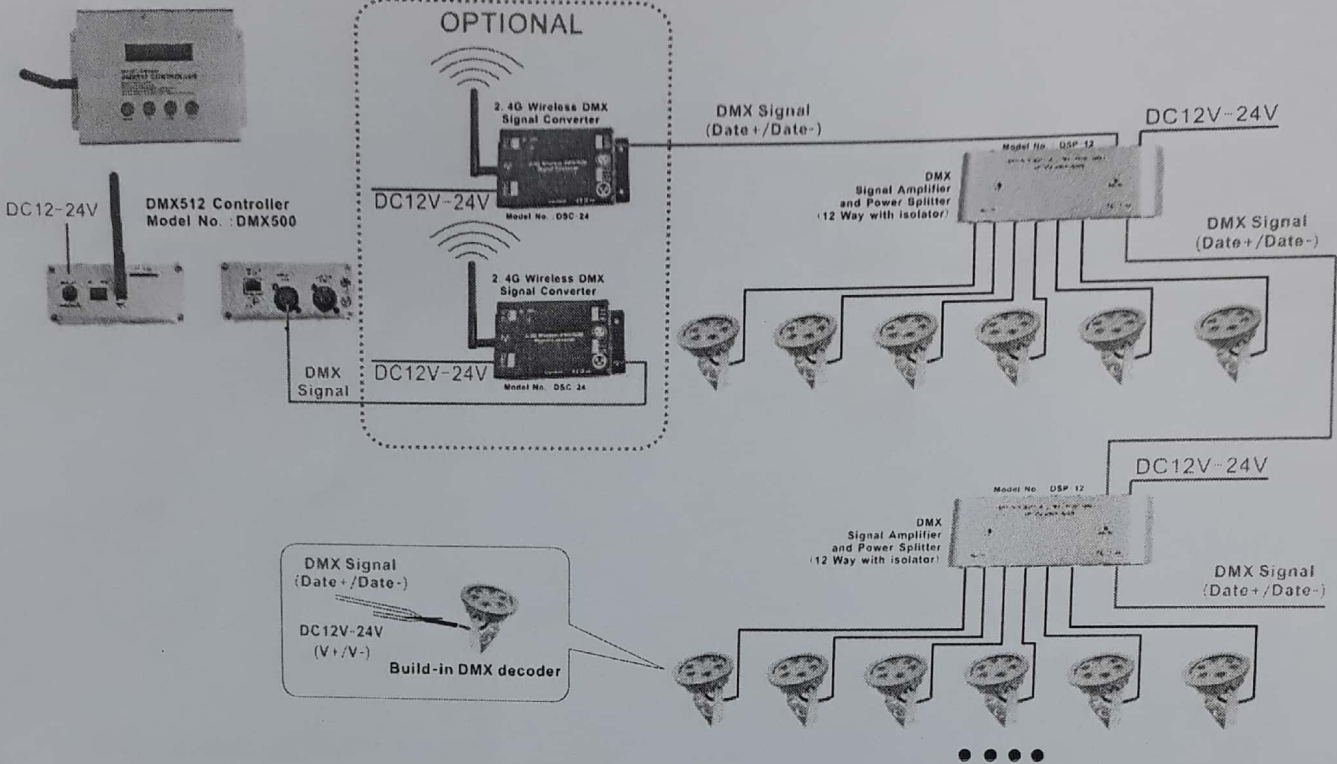
## ► SPECIFICATION

INPUT INTERFACE	1 x 2pin Green Terminals (DC12-24V) 1 x 3pin Green Terminals (DMX IN)
OUTPUT INTERFACE	1 x 2pin Green Terminals (DC12-24V) 1 x 3pin Green Terminals (DMX OUT) 12 x 4pin Green Terminals (connect 12 lights max. )
INPUT/OUTPUT SIGNAL	DMX
HOUSING	Sheet metal black powder finishing
INGRESS PROTECTION RATING	IP20
STORATION TEMPERATURE	-30°C-60°C
DIMENSION	L165XW55XH40mm
WIEGHT	300g

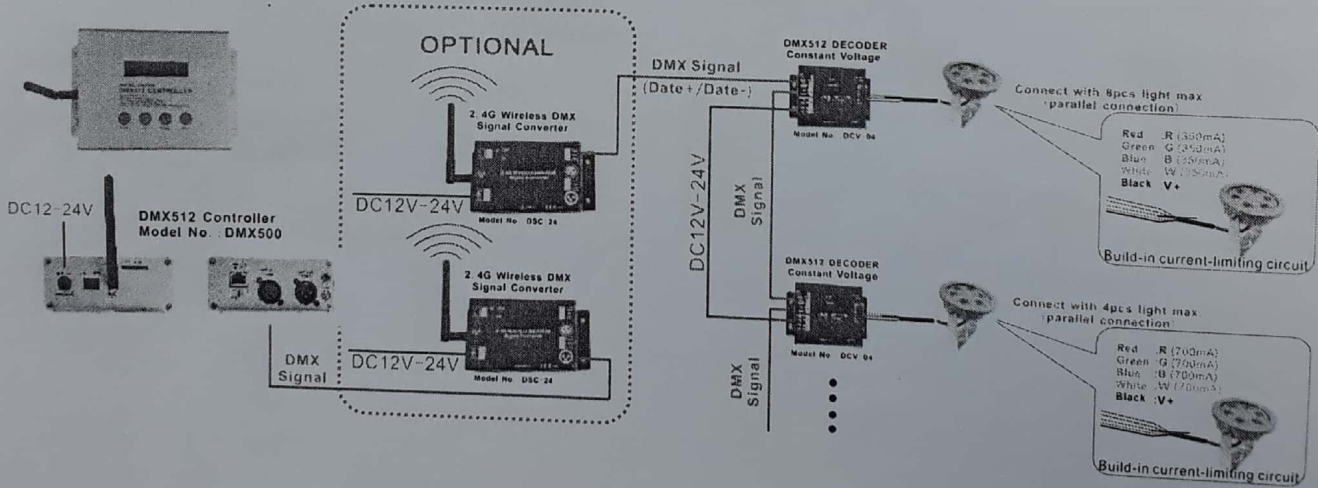
## ► PHYSICAL DIMENSIONS:



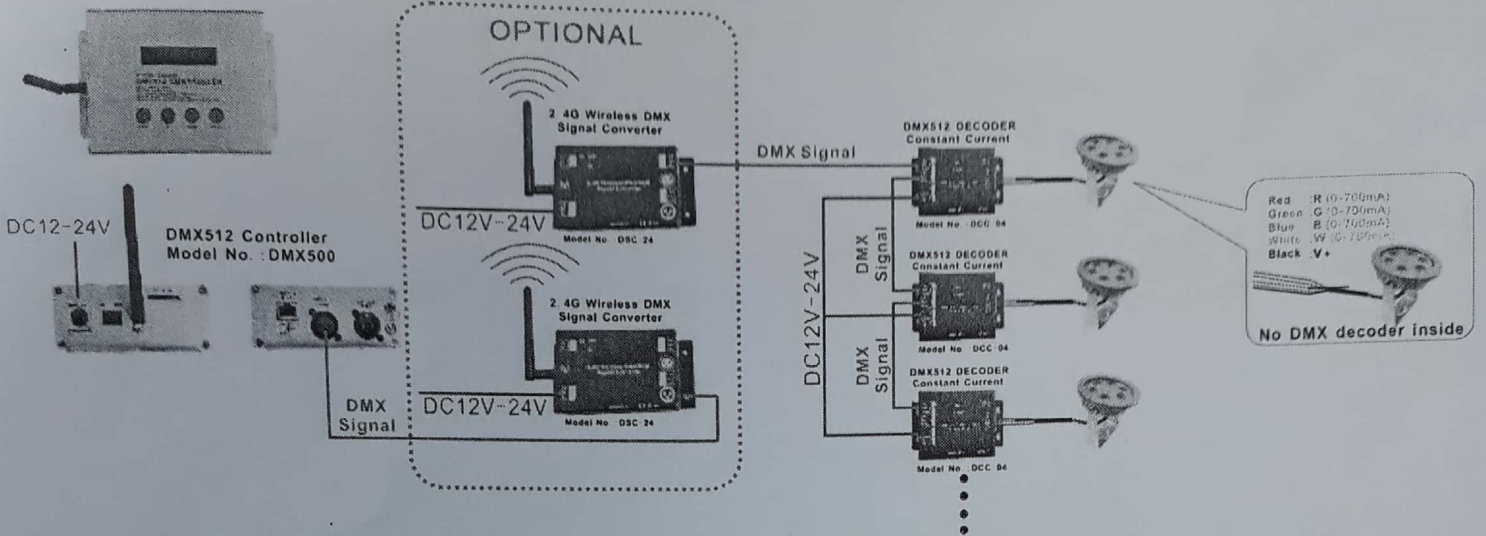
**DMX512 (1)**



**External (2)**



### External (3)



### DMX512 Signal Amplifier (4)

